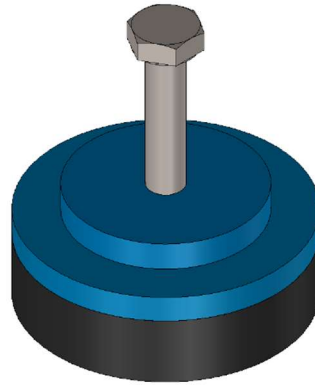
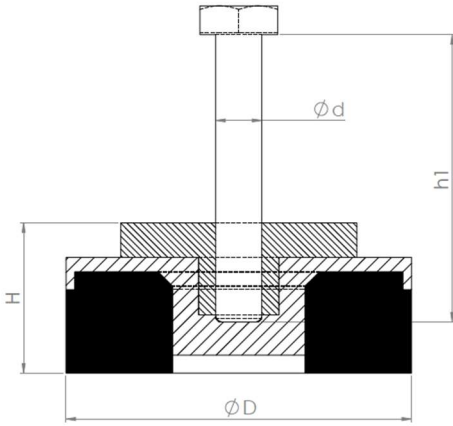


## MACHINE MOUNT



PRODUCT	DIMENSIONS(mm)			STATIC LOAD CAPACITY (kg)
	DIAMETER ( $\phi D$ )	HEIGHT (H)	STUD SIZE ( $\phi d \times h_1$ )	
UMA-RM-1	80	52	M12 x 100	200
UMA-RMS-1	80	52	M12 x 100	400
UMA-RMN-1	80	52	M12 x 100	500
UMA-RM-2	120	54	M16 x 100	400
UMA-RMS-2	120	54	M16 x 100	800
UMA-RMN-2	120	54	M16 x 100	1000
UMA-RM-3	160	60	M16 x 100	700
UMA-RMS-3	160	60	M16 x 100	1400
UMA-RMN-3	160	60	M16 x 100	1750
UMA-RM-4	200	62	M18 x 100	1000
UMA-RMS-4	200	62	M18 x 100	2000
UMA-RMN-4	200	62	M18 x 100	2500

- UMA-RM series of Anti Vibration mounts are designed considering simplicity and effectiveness in vibration damping and are easy to install.
- It is designed with core competency to damp low to high frequency vertical vibrations.
- Load capacity mentioned is considered with Factor of Safety = Capacity/Demand = 1.8.
- UMABOND Machine Mounts features high precision leveling and alignment with anti-skid properties.
- There are three basic variants available in four sizes. Following are the differentiator between them :

## RM - Series

Polymer	Natural
Temperature Range	-51° C to 80° C
Tensile Strength Range	8 to 10 Mpa
Elongation ( Max % )	180 %
Hardness	60 – 65 Shore A
Adhesive to Metals	Excellent
Aging Weather	Poor ( Sunlight )
Resilience	Excellent ( Rebound )
Compression Set	Excellent
Abrasion Resistance	Excellent
Tear Resistance	Excellent
Solvent Resistance	Poor
Oil Resistance	Poor

## RMS - Series

Polymer	Natural
Temperature Range	-51° C to 80° C
Tensile Strength Range	10 to 12 Mpa
Elongation ( Max % )	225 %
Hardness	65 – 70 Shore A
Adhesive to Metals	Excellent
Aging Weather	Poor ( Sunlight )
Resilience	Excellent ( Rebound )
Compression Set	Excellent
Abrasion Resistance	Excellent
Tear Resistance	Excellent
Solvent Resistance	Poor
Oil Resistance	Poor

## RMN - Series

Polymer	Nitrile
Temperature Range	-40° C to 120° C
Tensile Strength Range	16 to 18 Mpa
Elongation ( Max % )	225 %
Hardness	70 – 75 Shore A
Adhesive to Metals	Good
Aging Weather	Poor ( Sunlight )
Resilience	Good ( Rebound )
Compression Set	Good
Abrasion Resistance	Excellent
Tear Resistance	Good
Solvent Resistance	Excellent
Oil Resistance	Excellent