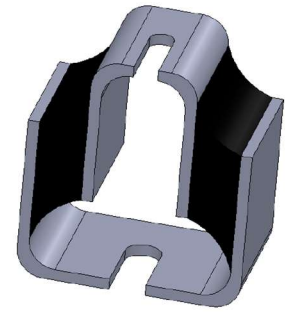
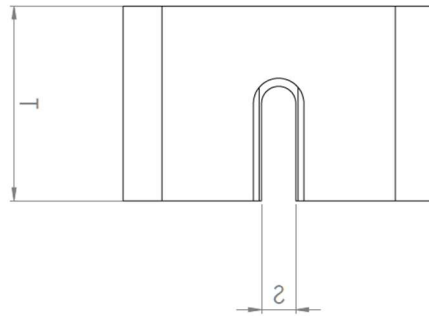
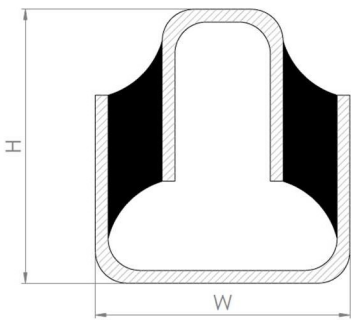


DOUBLE U SHEAR



PRODUCT NAME	DIMENSIONS (in mm)				LOAD CAPACITY (in kg)
	L	B	H	SLOT SIZE	
UMA-U-1	60	50	42	10MM DIA HOLE	28
UMA-U-2	70	25	62	10	25
UMA-U-3	80	50	78	13	92
UMA-U-4	86	64	108	16	17

- UMABOND Double U-shear mounts features vertical as well as lateral vibration isolation.
- The strong Rubber to metal bond prevent metal to metal bottoming.
- Load capacity mentioned is considered with Factor of Safety = Capacity/Demand = 1.8.
- UMABOND Double U-shear is effective in isolating vibration from reciprocating or rotary machinery.
- Below is the specification of polymer used in Double U Shear.

DOUBLE U SHEAR

Polymer	Natural
Temperature Range	-51° C to 80° C
Tensile Strength Range	3.4475 to 24.1316 Mpa
Elongation (Max %)	700 %
Hardness	20 – 90 Shore A
Adhesive to Metals	Excellent
Aging Weather	Poor (Sunlight)
Resilience	Excellent (Rebound)
Compression Set	Excellent
Abrasion Resistance	Excellent
Tear Resistance	Excellent
Solvent Resistance	Poor
Oil Resistance	Poor